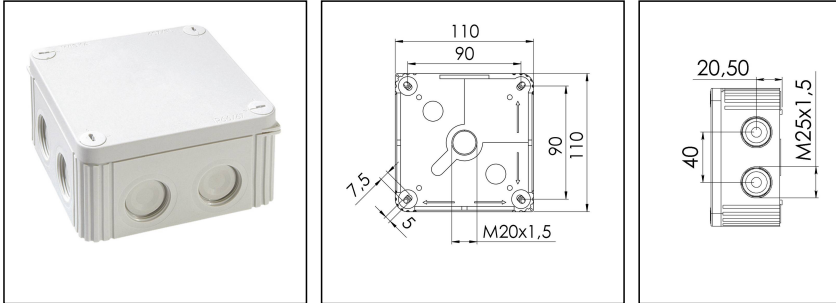


## COMBI MAR 607 LG

Junction Box 110x110x57mm, Polypropylene, RAL 7035



Products may differ in size, colour and appearance to those shown. If you require further information or customisation, please contact us directly.



<b>Material</b>	Polypropylene
<b>Material sealing gasket</b>	TPE
<b>Temp. range min</b>	-30 °C
<b>Temp. range max</b>	100 °C
<b>Temperatures during install.</b>	-5 °C - 60 °C
<b>Protection class</b>	IP66 / IP67
<b>Glow wire test</b>	960 °C
<b>Voltage</b>	690 V
<b>Rated cross section</b>	6 mm <sup>2</sup>
<b>Terminals/poles</b>	None
<b>Fixing</b>	4 internal openings
<b>Ø cable diameter min</b>	5,2 mm
<b>Ø cable diameter max</b>	17 mm
<b>External dimensions LxWxH</b>	110 x 110 x 57 mm
<b>Type of cable gland</b>	M 25 x 1,5
<b>Using for cable gland</b>	
<b>Product Color</b>	RAL 7035
<b>WISKA-Order no.</b>	10060566
<b>Type</b>	COMBI MAR 607 LG
<b>Packing unit</b>	3
<b>ETIM-Classification</b>	EC002600

Remarks:

IP66: using the membrane entry

IP67: using the threaded entry together with ESKV cable gland

Your Contact:

**WISKA Hoppmann GmbH**

Kisdorfer Weg 28 · 24568 Kaltenkirchen · Germany

☎ +49-4191-508-0 · 📠 +49-4191-508-209

contact@wiska.de · www.wiska.com

**Equipment:**

- 7 M25 threaded membrane entries
- 3 membrane cable entries through rear
- 4 captive cover screws

**Mounting:**

- 4 internal openings outside of the sealing area

**Recommended accessories**

DIN Rail Kit - COMBI 607	10060361
MP-L Mounting plate large COMBI / WHK	10105775
External mounting - COMBI	10108836
SP-HKT 607 Terminal block	22000407

02.02.2021

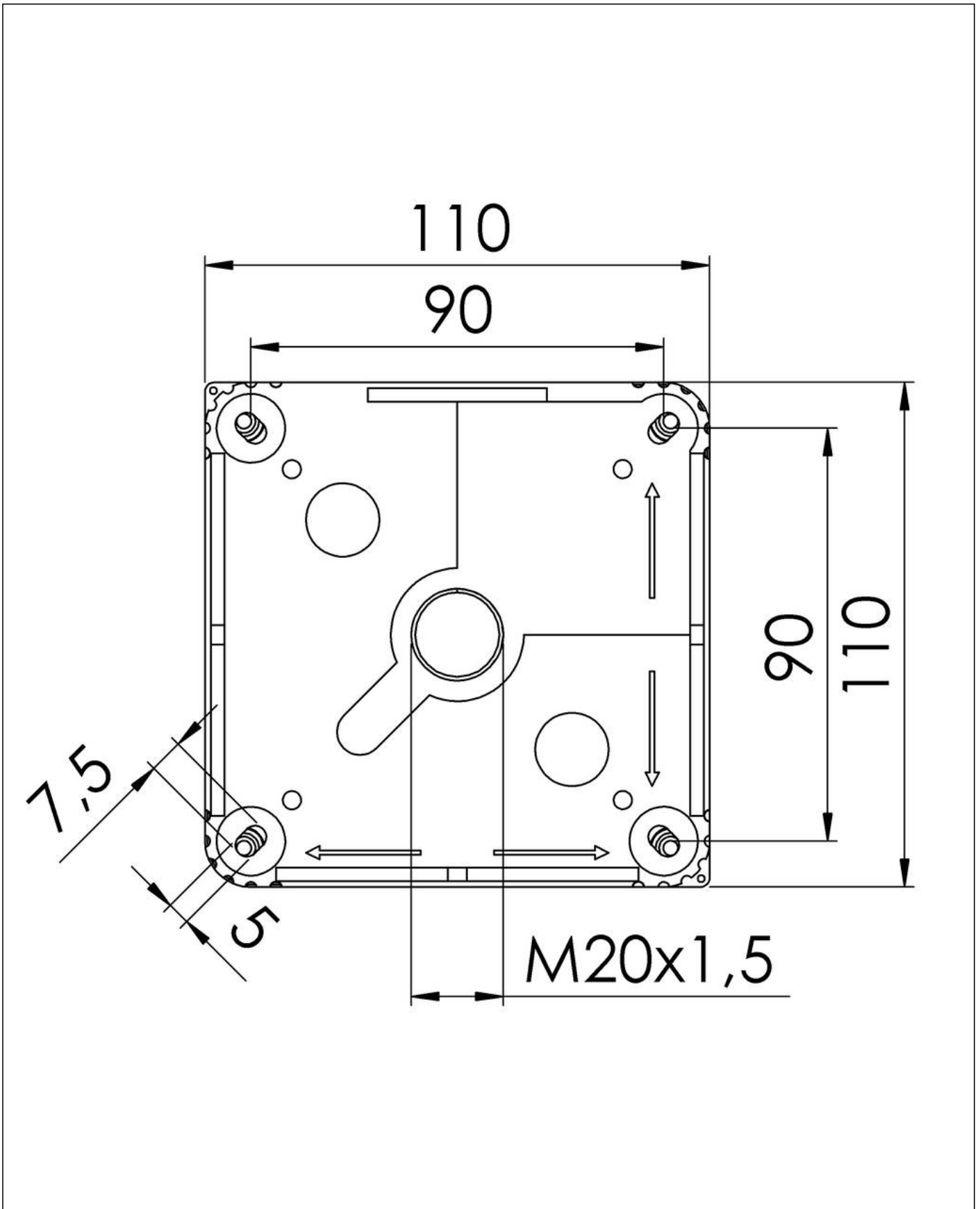
**Your Contact:**

**WISKA Hoppmann GmbH**

Kisdorfer Weg 28 · 24568 Kaltenkirchen · Germany

☎ +49-4191-508-0 · 📠 +49-4191-508-209

contact@wiska.de · www.wiska.com



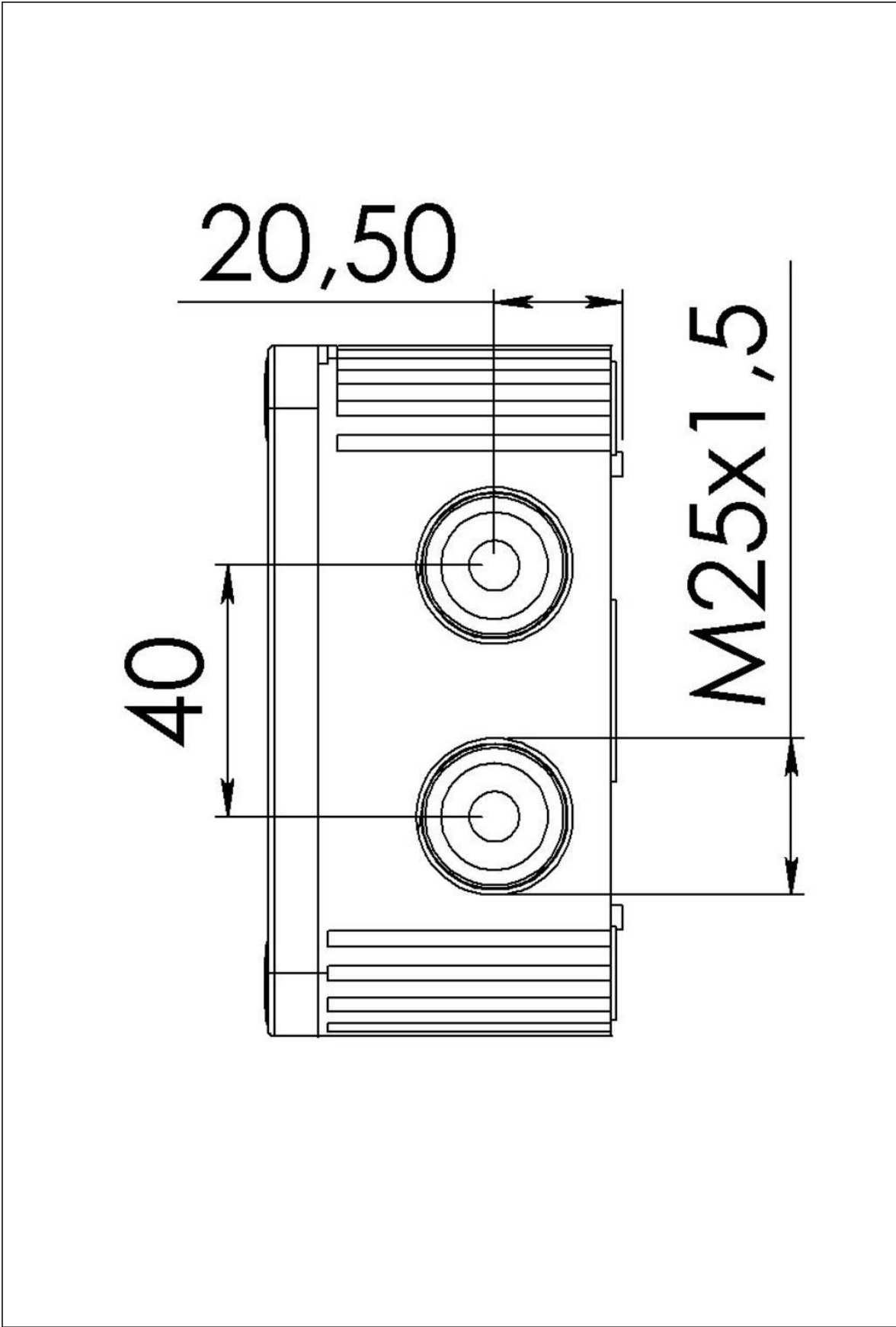
Your Contact:

**WISKA Hoppmann GmbH**

Kisdorfer Weg 28 · 24568 Kaltenkirchen · Germany

☎ +49-4191-508-0 · 📠 +49-4191-508-209

contact@wiska.de · www.wiska.com



Your Contact:  
**WISKA Hoppmann GmbH**  
Kisdorfer Weg 28 · 24568 Kaltenkirchen · Germany  
☎ +49-4191-508-0 · 📠 +49-4191-508-209  
contact@wiska.de · www.wiska.com