



Bernstein

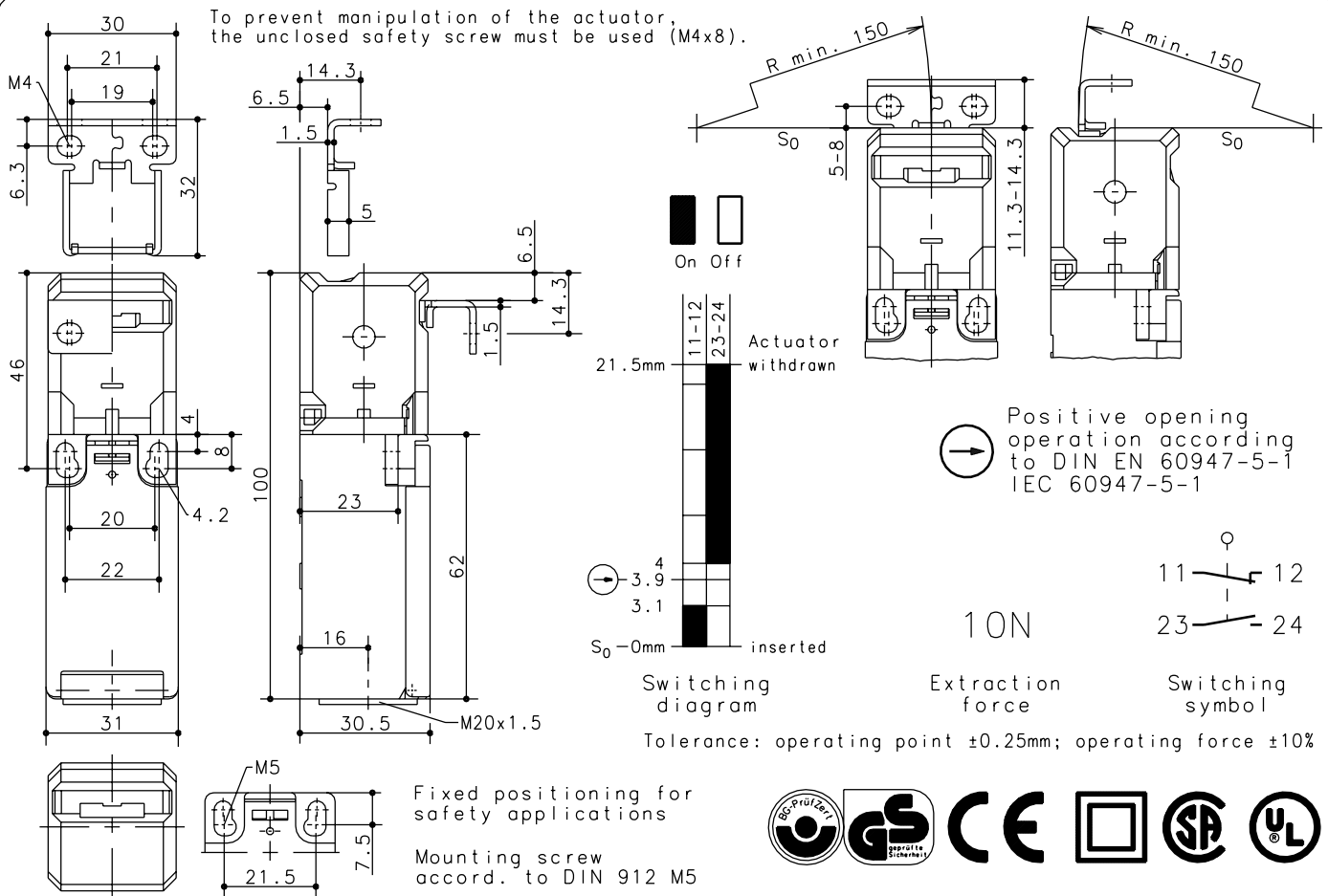
Bernstein AG
Postfach 1164
D-32437 Porta Westfalica

Technical data sheet

SKI-U1Z M3

601.6819.052

To prevent manipulation of the actuator, the unclosed safety screw must be used (M4x8).



Schutzvermerk nach DIN 34 beachten
Copyright reserved

05.04.2001

Mechanical features	Electrical features
<p>Enclosure: Thermoplast, glas fibre reinforced (UL94-V0) Cover: Thermoplast, glas fibre reinforced (UL94-V0) Actuator: separate actuator (metal)</p> <p>Ambient air temperature: -30°C up to +80°C Contact type: 1 NO-contact, 1 NC-contact (Zb)</p> <p>Mechanical life: 1x10⁶ switch operations Switch frequency: max. 30/min Mounting: enclosure 2xM4; actuator 2xM4 Connection type: 4 screw connections M3.5 Conductor cross-section: single core 0.5-1.5mm² / litz wire with connector sleeve 0.5-1.5mm²</p> <p>Cable entry size: 1 x M20x1.5 Weight: approx. 0,13 kg Mounting position: selectable Protection class (IP-Code): IP65 according to EN 60529, DIN VDE 0470 T1</p> <p>The planned protection class (IP-Code) is valid only at closed cover and when using an at least equivalent cable gland.</p>	<p>Rated insulation voltage: U_i=250V AC Conventional thermal current: I_{the}=10A AC Utilization category: AC 15 A300 U_e/I_e 240V/3A Short-circuit protection: Fuse 10A gL/gG, IEC/EN 60947-5-1, appendix K CSA: 10A 300V AC A300 (same polarity)</p>
	Approvals
	<p>CSA UL BG</p>
	Standards
	<p>VDE 0660 T100, EN 60947-1 VDE 0660 T200, EN 60947-5-1 IEC 60947-5-1 GS-ET 15</p>
Approach possibilities	Specials / Remarks
	<ul style="list-style-type: none"> To achieve the 8 different actuator entry points please follow next instructions <ol style="list-style-type: none"> (1) pull fixing clamp (2) turn actuator (3) push fixing clamp Radial actuation may reduce the mechanical life. The min. radius refers to a pivot at the top of the cap (S₀). Unused actuator entry slot must be covered by the plug. Do not use the switch as end stop.